



## INSTALLATION INSTRUCTIONS FOR PART 99-7872

# APPLICATIONS Honda Fit 2007-2008

## 99-7872

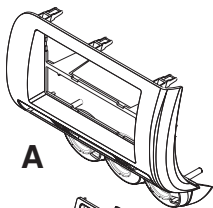
### KIT FEATURES

- DIN Radio Provision with Pocket
- ISO Mount Radio Provision with Pocket
- Double DIN Radio Provision
- Stacked ISO Mount Units Provision
- **Painted To Match Factory Dash**  
**99-7872=Gray**

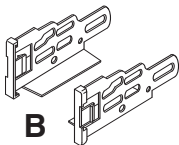


### KIT COMPONENTS

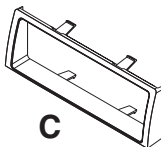
- A) Radio Housing • B) ISO Brackets • C) ISO Trim Plate • D) Double DIN Brackets
- E) Double DIN Trim Plate • F) Pocket



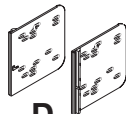
A



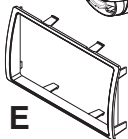
B



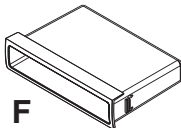
C



D



E



F

### WIRING AND ANTENNA CONNECTIONS (Sold Separately)

#### Harness:

- 70-1722 - Honda harness 2006-up

#### Antenna Adapter:

- 40-HD10 - Honda antenna adapter 2005-up

### TOOLS REQUIRED:

Small Flat Blade Screwdriver/ Panel Removal Tool

- Phillips Screwdriver • Socket Set



1-800-221-0932



[www.metraonline.com](http://www.metraonline.com)

© COPYRIGHT 2004-2009 METRA ELECTRONICS CORPORATION



**TABLE OF CONTENTS**

**Dash Disassembly**

**- Honda Fit 2007-2008 ..... 1,2**

**Kit Assembly**

**- Kit Preparation ..... 3**  
**- DIN Radio Provision with Pocket ..... 4**  
**- ISO Mount Radio Provision with Pocket. .... 5**  
**- Double DIN Radio Provision ..... 6**  
**- Stacked ISO Mount Units Provision ..... 7**

**Final Assembly ..... 8**

**\*Note:**

**Refer also to the instructions included with the aftermarket radio.**

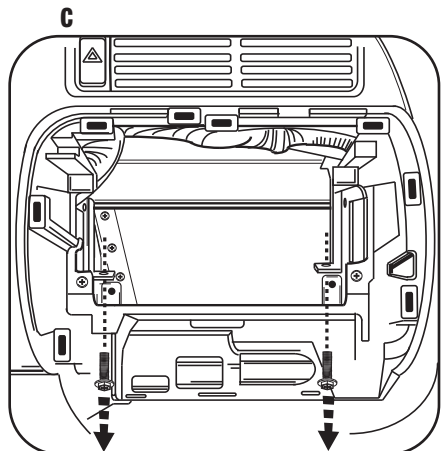
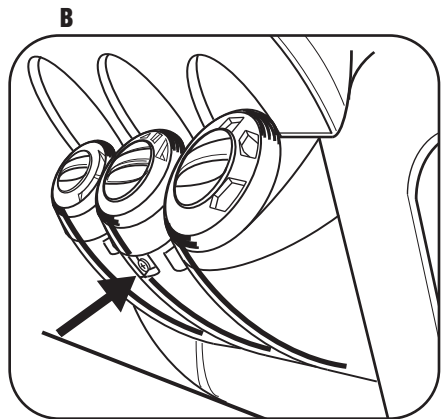
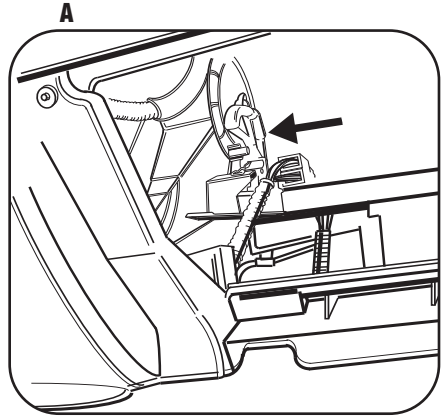


**KNOWLEDGE IS POWER**

Enhance your installation and fabrication skills by enrolling in the most recognized and respected mobile electronics school in our industry. Log onto [www.installerinstitute.com](http://www.installerinstitute.com) or call 800-354-6782 for more information and take steps toward a better tomorrow.

**HONDA FIT 2007-2008**

- 1 Disconnect the negative battery terminal to prevent an accidental short circuit.
- 2 Squeeze sides of glove box then pull out and let hang to access cables behind it.
- 3 Unclip the (3) a/c control cables behind glove box. (Figure A)
- 4 Remove (1) Phillips screw from the panel on the bottom of the a/c controls then unclip and remove the panel. (Figure B)
- 5 Remove (2) 8 MM bolts securing center panel then unclip, unplug and remove entire assembly including climate controls. (Figure C)  
**NOTE:** These bolts are accessed from underneath the climate controls. Figure C shows assembly already removed to show bolt location.

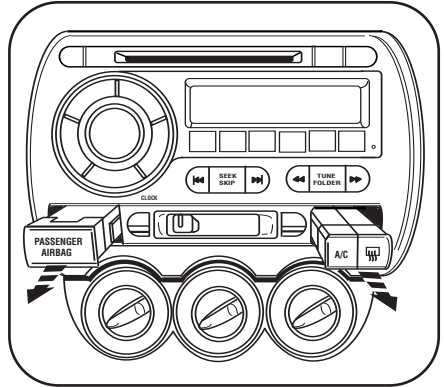
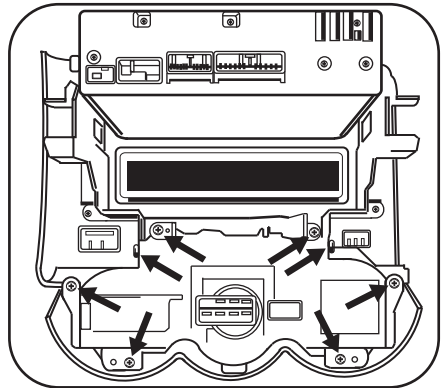
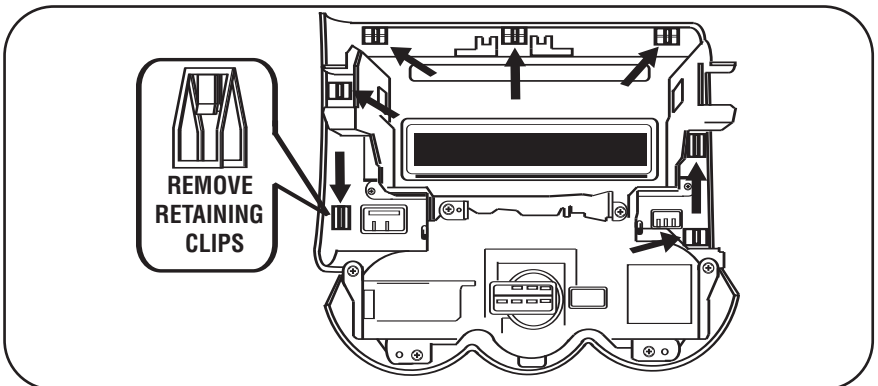


*Continue to kit assembly.*

**HONDA FIT 2007-2008**

- 6 Unclip and remove the A/C & Rear Defroster switches and the Passenger Air Bag Off Light and set them aside for use during kit assembly. (Figure D)
- 7 Remove (8) Phillips screws securing the climate control to the back of the factory center panel. Remove climate controls and set aside for use during kit assembly. (Figure E)
- 8 Remove the (7) metal retaining clips from the factory center panel and set them aside for use during kit assembly. (Figure F)

*Continue to kit assembly.*

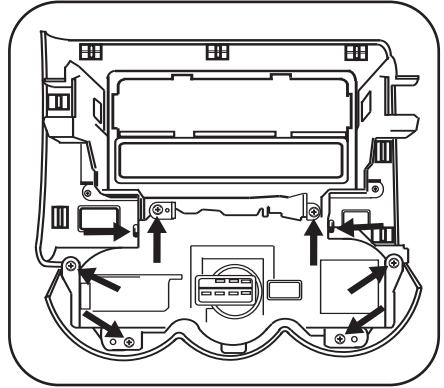
**D**

**E**

**F**


## KIT PREPARATION

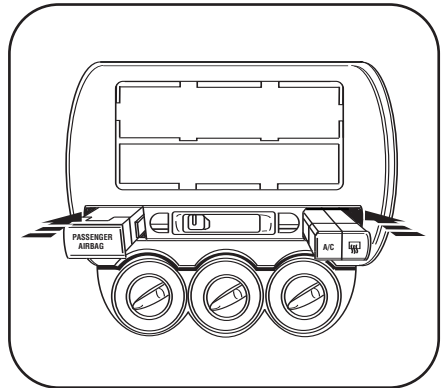
- 1 Secure the climate controls into the radio housing using the factory hardware. (Figure A)
- 2 Snap the A/C & Rear Defroster switches and the Passenger Air Bag Off Light into the radio housing. (Figure B)
- 3 Attach the (7) retaining clips to the radio housing in the same location as removed from the factory center panel. (Figure C)

*Continue to kit assembly.*

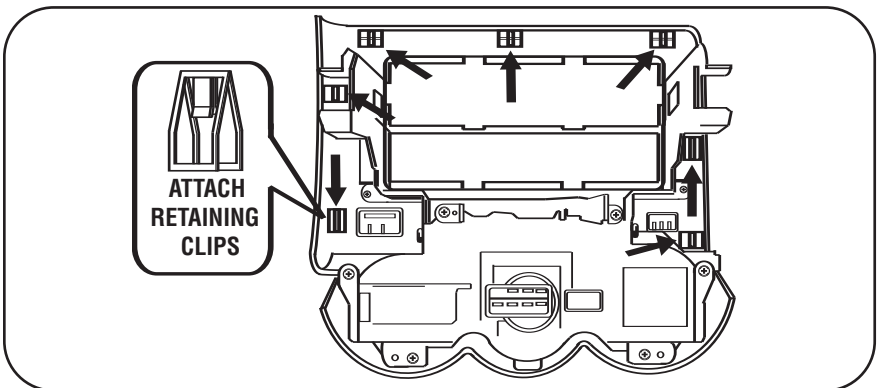
A



B



C

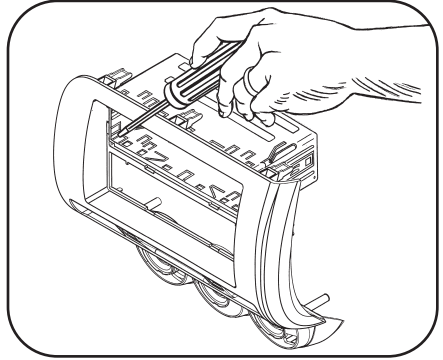
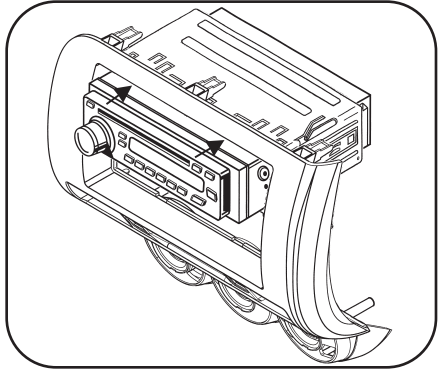
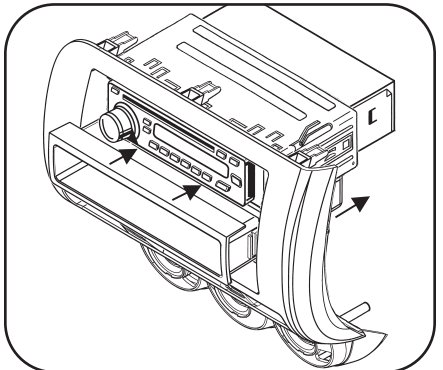


**DIN MOUNT RADIO PROVISION WITH POCKET**

*\*Note: Refer also to the instructions included with the aftermarket radio.*

- 1 Slide the DIN cage into the radio housing and secure by bending the metal locking tabs outward. (Figure A)
- 2 Slide the aftermarket radio into the DIN cage and until it snaps into place. (Figure B)
- 3 Snap the pocket into the radio housing. (Figure C)

*Continue to final assembly.*

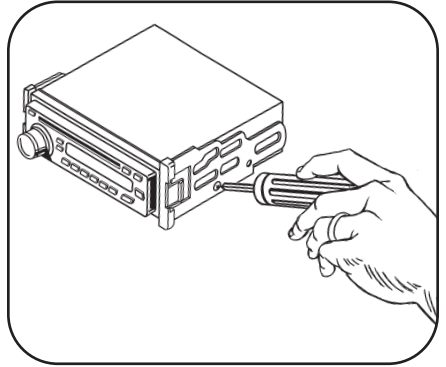
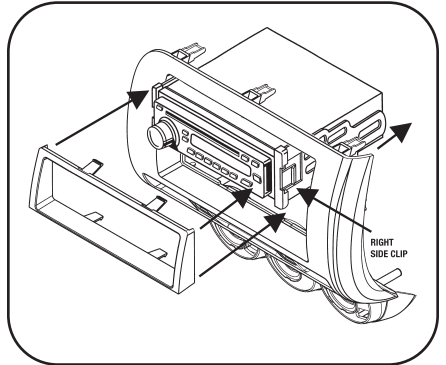
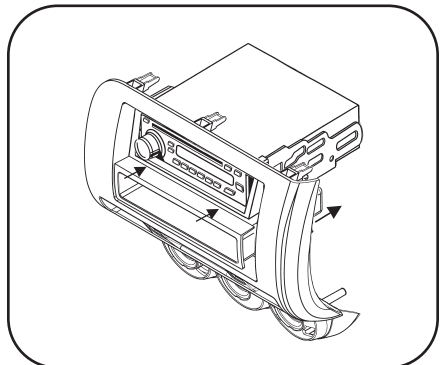
**A**

**B**

**C**


**ISO MOUNT RADIO PROVISION WITH POCKET**

*\*Note: Refer also to the instructions included with the aftermarket radio.*

- 1** Mount the ISO Brackets to the radio using the screws supplied with the radio. (Figure A)
- 2** Slide the radio into the radio housing until it snaps into place. (Figure B)
- 3** Snap the trim plate onto the front of the Radio Housing. (Figure B)
- 4** Snap the Pocket into the radio housing. (Figure C)

*Continue to final assembly.*

**A**

**B**

**C**


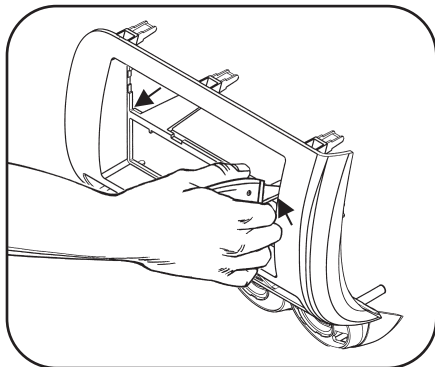
## DOUBLE DIN RADIO PROVISION

*\*Note: Refer also to the instructions included with the aftermarket radio.*

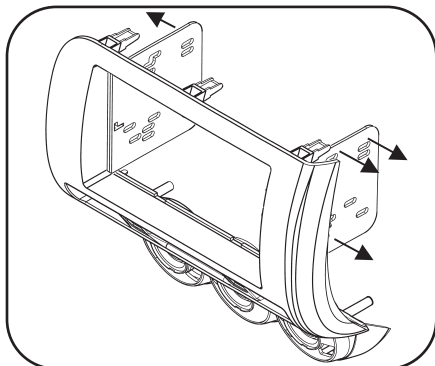
- 1 Cut and remove the center bar from the radio housing. (Figure A)
- 2 Snap the Double DIN brackets to the inside edge of the radio housing. (Figure B)
- 3 Slide the Double DIN radio into the DDIN bracket/radio housing assembly and secure the radio to the assembly using the screws supplied with the radio. (Figure C)
- 4 Snap the Double DIN trim plate onto the front of the radio/housing assembly. (Figure C)

*Continue to final assembly.*

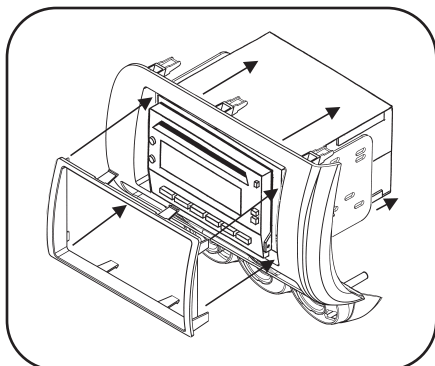
**A**



**B**



**C**





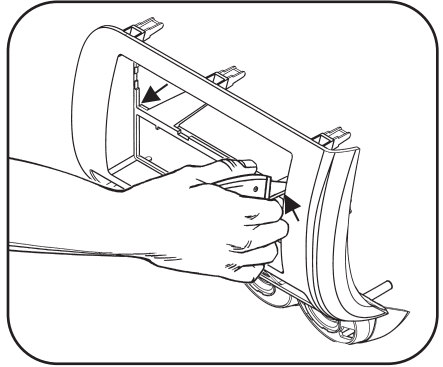
## STACKED ISO MOUNT UNITS PROVISION

*\*Note: Refer also to the instructions included with the aftermarket radio.*

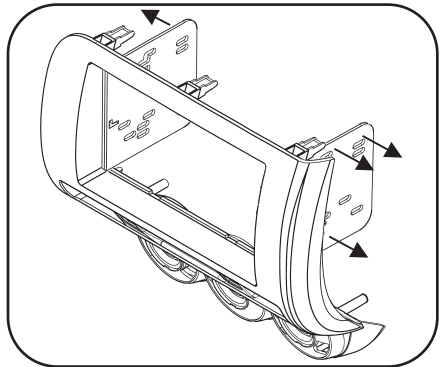
- 1 Cut and remove the center bar from the radio housing. (Figure A)
- 2 Snap the Double DIN brackets to the inside edge of the radio housing. (Figure B)
- 3 Slide the stacked ISO mount units into the bracket/housing assembly and secure the units to the assembly using the screws supplied with the units. (Figure C)
- 4 Snap the Double DIN trim-plate onto the front of the radio/housing assembly. (Figure C)

*Continue to final assembly.*

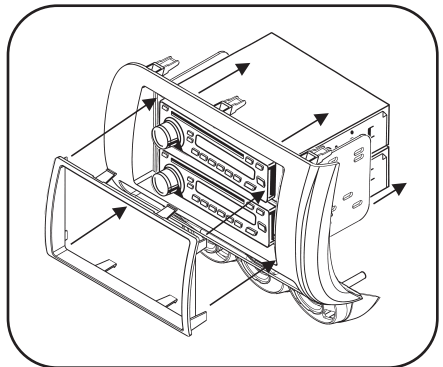
**A**



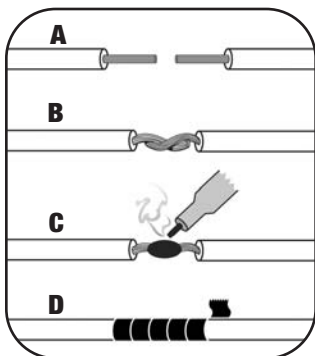
**B**



**C**



## FINAL ASSEMBLY



**(A) Strip wire ends back 1/2"**

**B) Twist ends together**

**C) Solder**

**D) Tape**

- 1 Locate the factory wiring harness in the dash. Metra recommends using the proper mating adapter and making connections as shown. (Isolate and individually tape off the ends of any unused wires to prevent electrical short circuit.)
- 2 Re-connect the negative battery terminal and test the unit for proper operation.
- 3 Reassemble radio and dash assemblies in reverse order of disassembly.

### FINAL WIRING CONNECTIONS

Make wiring connections using the EIA color code chart shown below and the instructions included with the head unit. Metra recommends making connections as shown below; Strip, Splice, Solder, Tape. Isolate and individually tape off ends of any unused wires to prevent electrical short circuit.

#### METRA / EIA WIRING CODE

12V Ignition / Acc. . . . .	Red	Right Front (+) . . . . .	Gray
12V Batt / Memory. . . . .	Yellow	Right Front (-). . . . .	Gray/ Black
Ground. . . . .	Black*	Left Front (+) . . . . .	White
Power Antenna. . . . .	Blue	Left Front (-). . . . .	White / Black
Amp Turn-On . . . . .	Blue / White	Right Rear (+) . . . . .	Violet
Amp Ground. . . . .	Black / White	Right Rear (-). . . . .	Violet / Black
Illumination . . . . .	Orange	Left Rear (+) . . . . .	Green
Dimmer . . . . .	Orange / White	Left Rear (-) . . . . .	Green / Black

\*NOTE: When a Black wire is not present, ground radio to vehicle chassis.

All colors may not be present on all leads due to manufacturer's specifications.



# 99-7872 INSTRUCTIONS



**1-800-221-0932**



**[www.metraonline.com](http://www.metraonline.com)**

REV. 05/12/09 © COPYRIGHT 2004-2009 METRA ELECTRONICS CORPORATION INST99-7872